



mRoy EXTENDED RANGE SERIES METERING PUMPS

mRoy Extended Range Pump



DESCRIPTION

Since its introduction in 1962, the mRoy series of metering pumps have provided users with superior metering performance in a compact package. Enhanced and improved over the years, the mRoy is the industry standard for durability and reliability in the most demanding metering applications.

The mRoy Extended Range, based on the proven mRoy design, is the proud new addition to the mRoy family of pumps. The *EXTENDED RANGE* extends the range of pressure and flow over the existing mRoy.

The mRoy Extended Range, is currently available for flow rates up to 8 GPH (30.3 l/h) and pressures up to 3000 PSI (207 bar).

GENERAL SPECIFICATIONS

- Manual capacity adjustment from 0 to 100%
- $\pm 1\%$ steady state accuracy over a turndown ratio of 8:1
- Hydraulically actuated PTFE disc diaphragm
- High performance check valves
- Stainless steel liquid end components
- Integral relief valve
- Process side gas bleed (standard)
- High quality chemical resistant epoxy coating

mRoy Extended Range XT ESTIMATED PERFORMANCE AND PRODUCT CODES

XT ESTIMATED FLOWS

PRODUCT CODE	GPH 3000 PSI	LIQUID END MATERIAL	MAX DISCHARGE PRESSURE	SPM (2)	END USER PRICE
XT1177SRNNM1NNNN	0.23	316SS	3,000	23	
XT1148SRNNM1NNNN	0.37	316SS	3,000	37	
XT1124SRNNM1NNNN	0.74	316SS	3,000	73	
XT1115SRNNM1NNNN	1.18	316SS	3,000	117	
XT1110SRNNM1NNNN	1.87	316SS	3,000	185	

- NOTES:**
- All pumps have PTFE diaphragm.
 - SPM = Strokes Per Minute -- Stroking speed with standard 1750 RPM 60 Hz motor.
 - Price does not include motor and special accessories.

When ordering, please use the following code format:

X	T	1	1								
---	---	---	---	--	--	--	--	--	--	--	--

<input type="checkbox"/> X	Family	X = XR Family
<input type="checkbox"/> T	Plunger Code	T = 3/g equivalent plunger diameter (3000 PSI maximum)
<input type="checkbox"/> 1	Simplex/duplex	1 = Simplex
<input type="checkbox"/> 1	Liquid End Material	1 = 316 Stainless Steel

mRoy Extended Range

<input type="checkbox"/> <input type="checkbox"/>	Gear Code	77 = 77:1 (23 spm @ 1760 RPM - Use minimum 1/4 HP motor) 48 = 48:1 (37 spm @ 1760 RPM - Use minimum 1/4 HP motor) 24 = 24:1 (73 spm @ 1760 RPM - Use minimum 1/4 HP motor) 15 = 15:1 (117 spm @ 1760 RPM - Use minimum 1/4 HP motor) 10 = 9.5:1 (185 spm @ 1760 RPM - Use minimum 1/2 HP motor)
<input type="checkbox"/> <input type="checkbox"/>	Motor/Motor Mount	SR = NEMA 56C Face, Less Motor SS = IEC 71, F130 Flange, Less Motor
<input type="checkbox"/> <input type="checkbox"/>	Connections	NN= 1/2" NPT suction, 1/4" NPT discharge 11 = ANSI 150 lb. 1/2" RF Threaded Flange (suction & discharge) 33 = ANSI 300 lb. 1/2" RF Threaded Flange (suction & discharge) 66 = ANSI 600 lb. 1/2" RF Threaded Flange (suction & discharge) AA = ANSI 150 lb. 1/2" Socket Welded Flange (suction & discharge) BB = ANSI 300 lb. 1/2" Socket Welded Flange (suction & discharge)
<input type="checkbox"/> <input type="checkbox"/>	Capacity Adjustment	M1 = Manual with 316 Stainless Steel Knob
<input type="checkbox"/> <input type="checkbox"/>	Leak Detection Options	NN = None
<input type="checkbox"/> <input type="checkbox"/>	Check Valve Options	NN = Normal Viscosity

mRoy Extended Range

XW ESTIMATED PERFORMANCE AND PRODUCT CODES

XW ESTIMATED FLOWS

PRODUCT CODE	GPH 3000 PSI	LIQUID END MATERIAL	MAX DISCHARGE PRESSURE	SPM (2)	END USER PRICE
XW1138FRNNM1NNNN	2.47	316SS	3,000	47	
XW1125FRNNM1NNNN	3.76	316SS	3,000	72	
XW1119FRNNM1NNNN	5.00	316SS	3,000	95	
XW1112FRNNM1NNNN	8.00	316SS	3,000	144	

- NOTES:**
- All pumps have PTFE diaphragm.
 - SPM = Strokes Per Minute -- Stroking speed with standard 1750 RPM 60 Hz motor.
 - Price does not include motor and special accessories.

When ordering, please use the following code format:

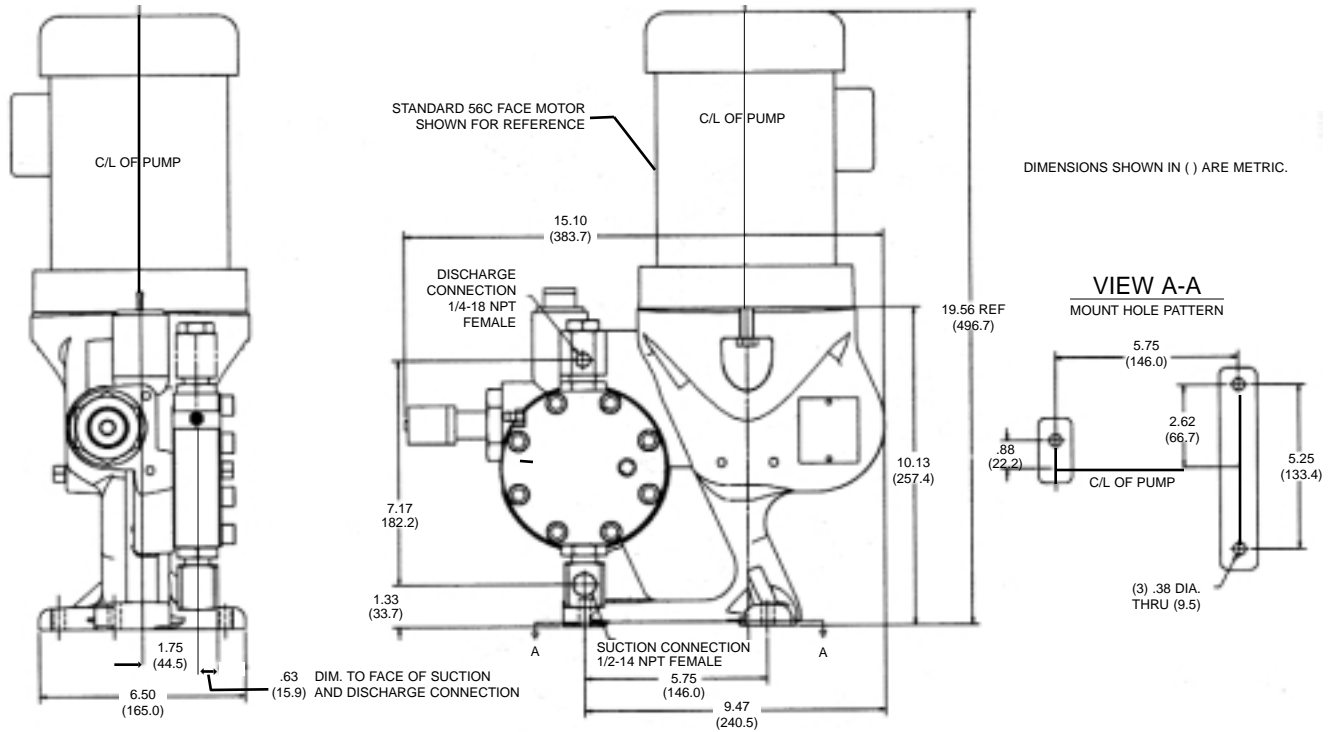
X	W	1	1								
---	---	---	---	--	--	--	--	--	--	--	--

<input type="checkbox"/> X	Family	X = XR Family
<input type="checkbox"/> W	Plunger Code	W = 0.500" equivalent plunger diameter (3000 PSI maximum)
<input type="checkbox"/> 1	Simplex/Duplex	1 = Simplex
<input type="checkbox"/> 1	Liquid End Material	1 = 316 Stainless Steel

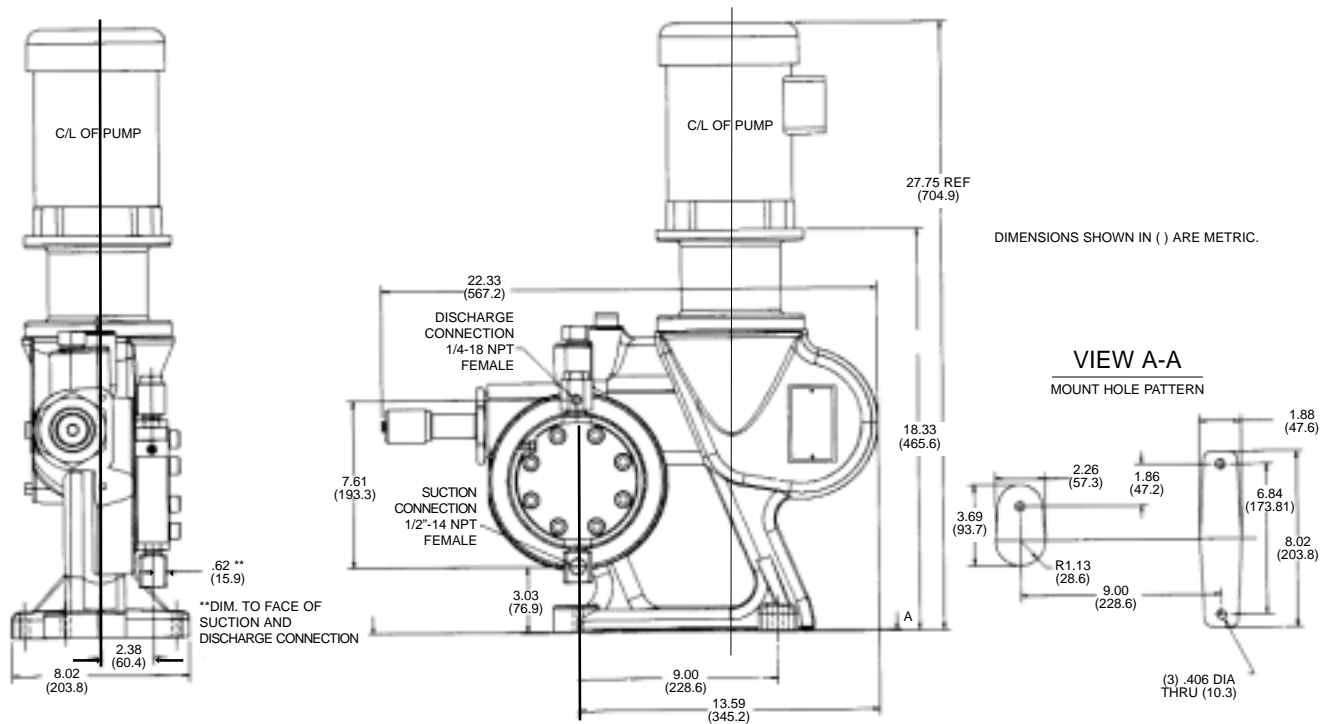
<input type="checkbox"/> <input type="checkbox"/>	Gear Code	38 = 38:1 (46 spm @ 1760 RPM - Use minimum 3/4 HP motor) 25 = 25:1 (70 spm @ 1760 RPM - Use minimum 3/4 HP motor) 19 = 19:1 (93 spm @ 1760 RPM - Use minimum 1 HP motor) 12 = 12.5:1 (146 spm @ 1760 RPM - Use minimum 1-1/2 HP motor)
<input type="checkbox"/> <input type="checkbox"/>	Motor/Motor Mount	FR = API Flange NEMA 56C Mount F8 = API Flange IEC 80 Mount F9 = API Flange IEC 90 Mount
<input type="checkbox"/> <input type="checkbox"/>	Connections	NN= 1/2" NPT suction, 1/4" NPT discharge 11 = ANSI 150 lb. 1/2" RF Threaded Flange (suction & discharge) 33 = ANSI 300 lb. 1/2" RF Threaded Flange (suction & discharge) 66 = ANSI 600 lb. 1/2" RF Threaded Flange (suction & discharge) AA = ANSI 150 lb. 1/2" Socket Welded Flange (suction & discharge) BB = ANSI 300 lb. 1/2" Socket Welded Flange (suction & discharge)
<input type="checkbox"/> <input type="checkbox"/>	Capacity Adjustment	M1 = Manual with 316 Stainless Steel Knob
<input type="checkbox"/> <input type="checkbox"/>	Leak Detection Options	NN = None
<input type="checkbox"/> <input type="checkbox"/>	Check Valve Options	NN = Normal Viscosity NC = Normal Viscosity, Ceramic Check Valve Balls

mRoy Extended Range

mRoy XT



mRoy XW



mRoy Extended Range